

PIANO



Radiator painted in Opaque Red (cod. 7B)

Interior Design Radiator **PIANO**

PIANO is an interior design radiator made with flat steel tubes: a perfect blend of class, elegance and linearity. These features make **PIANO** a versatile interior design element in any room. **PIANO** is very flexible thanks to the vast range of available sizes: heights ranging from 520 to 2520 mm and from 4 to 30 sections in even numbers. **PIANO** radiator can be fixed both vertical and horizontal.



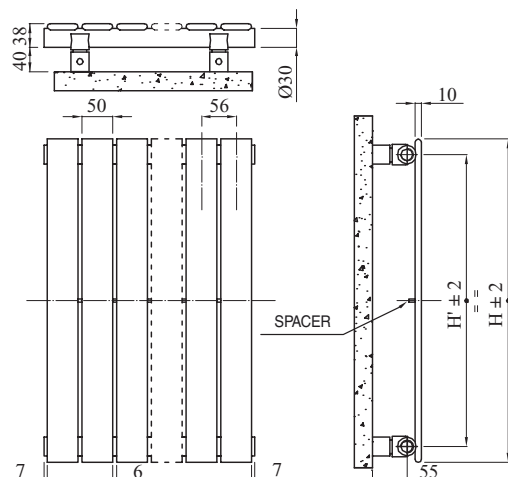
Piano Horizontal installation, painted in Titanium Grey Metallic (cod. L3)

PIANO

PIANO RADIATOR CAN BE INSTALLED VERTICALLY OR HORIZONTALLY



In photo: Piano Vertical radiator. Hight mm 2020, 10 elements, colour Titanium Grey Metallic (cod. L3).



TECHNICAL SPECIFICATIONS: depth 38 mm and manifolds with a 30 mm diameter circular section; tubes made of sheet steel with a 50x10 mm oval section; manifold threading 1/2" Gas right; maximum working pressure 4 bar; maximum working temperature 95°C.

(*) THANKS TO THE HIGH PERFORMANCE OF IRSAP PIANO RADIATORS, THE IDEAL Δt FOR LOW TEMPERATURE PROJECTS IS Δt AT 30°C.

DATA REGARDING VERTICAL INSTALLATION

MOD.	Code	Depth P mm	Hight H mm	Conn. centre H' mm	Weight Kg	Capacity lt	Thermal Power					Expon. n.
							Δt 50°C Btu/h	Δt 50°C Watt	Δt 40°C Watt	Δt 30°C(*) Watt	Δt 20°C Watt	
520	P1x0520 yy 01	38	520	470	0,67	0,24	116,3	34,1	25,6	17,7	10,6	1,280
700	P1x0700 yy 01	38	700	650	0,85	0,31	152,7	44,8	33,5	23,1	13,7	1,295
920	P1x0920 yy 01	38	920	870	1,07	0,38	195,3	57,2	42,7	29,2	17,2	1,314
1220	P1x1220 yy 01	38	1220	1170	1,37	0,49	256,0	75,0	56,0	38,4	22,6	1,310
1520	P1x1520 yy 01	38	1520	1470	1,67	0,59	315,4	92,4	69,0	47,4	27,9	1,306
1820	P1x1820 yy 01	38	1820	1770	1,97	0,70	375,1	109,9	82,2	56,5	33,3	1,302
2020	P1x2020 yy 01	38	2020	1970	2,17	0,77	415,1	121,6	91,0	62,6	37,0	1,300
2220	P1x2220 yy 01	38	2220	2170	2,37	0,84	455,5	133,5	99,9	68,8	40,7	1,297
2520	P1x2520 yy 01	38	2520	2470	2,67	0,94	516,6	151,4	113,4	78,2	46,3	1,293

01 = Standard White colour code - for different colour codes see the colour card.

For Δt different from 50°C use the formula: $Q=Q_n (\Delta t / 50)^n$

Packaging include: "Chela" fixing wall complete with screws and anchors, 1/2" chromium plated air vent, 1/2" chromium plated blind plug.

yy = number of elements
x = figure corresponding to the n° of elements



CE₀₅
EN442-1



130/047

Special Options

The pipefittings welded on the side (for Piano Horizontal) / bottom (for Piano Vertical) manifold can be positioned at any point at a specified distance between centres.

It is compulsory in this type of installation to install a diaphragm during production to ensure the product functions correctly.

The **minimum** possible distance between centres is equal to **50 mm** (see fig. 2), while the **maximum** distance depends on the length of the radiator. The **maximum** distance between centres can be:

$H' = 56 \times (n^\circ \text{ of elements} - 1)$ (see fig. 1).

